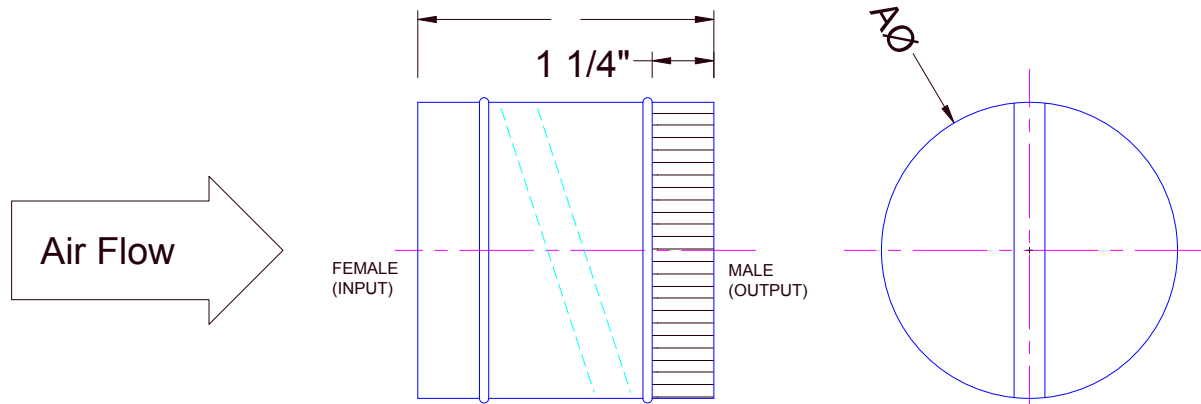
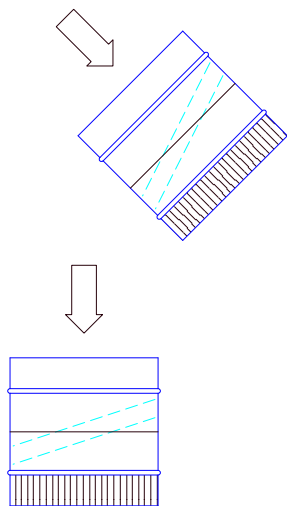


TABLE OF DIMENSIONS				
Model	BD6	BD8	BD10	BD12
ØA	6" Dia.	8" Dia.	10" Dia.	12" Dia.
B	6"	7"	8"	9"

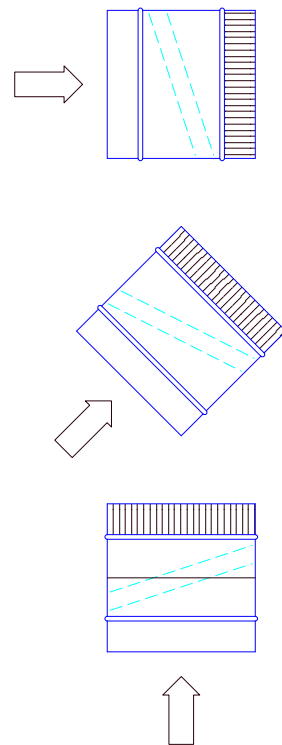


NOTE: OUTPUT MUST NOT BE LOWER THAN INPUT.

Unsuitable Orientations
(OUTPUT MUST NOT BE LOWER THAN INPUT)



Allowable Orientations



Specifications subject to change without notice