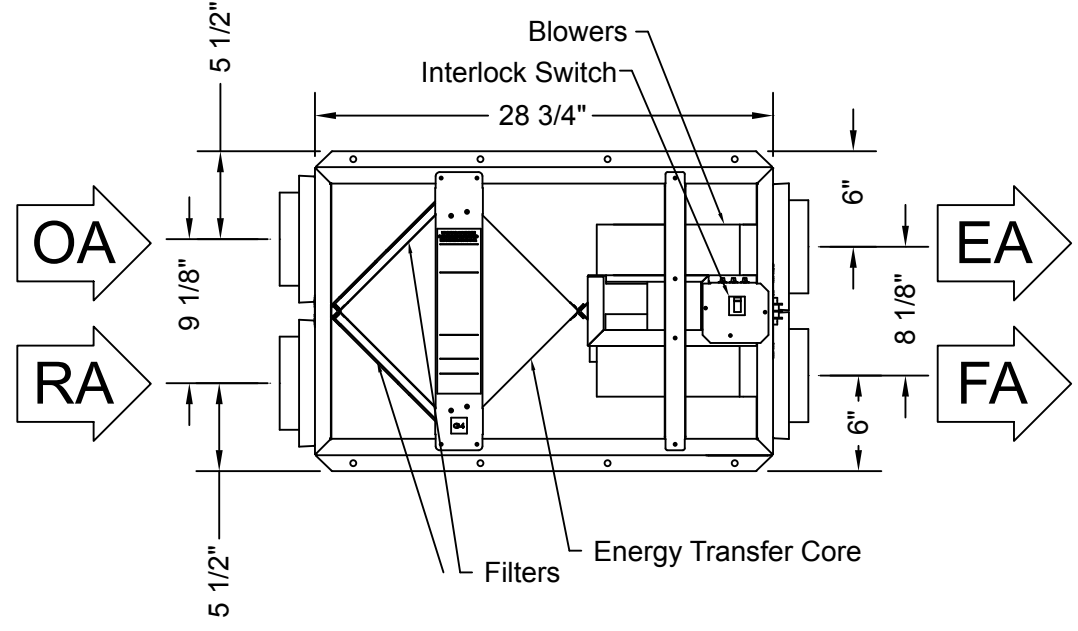
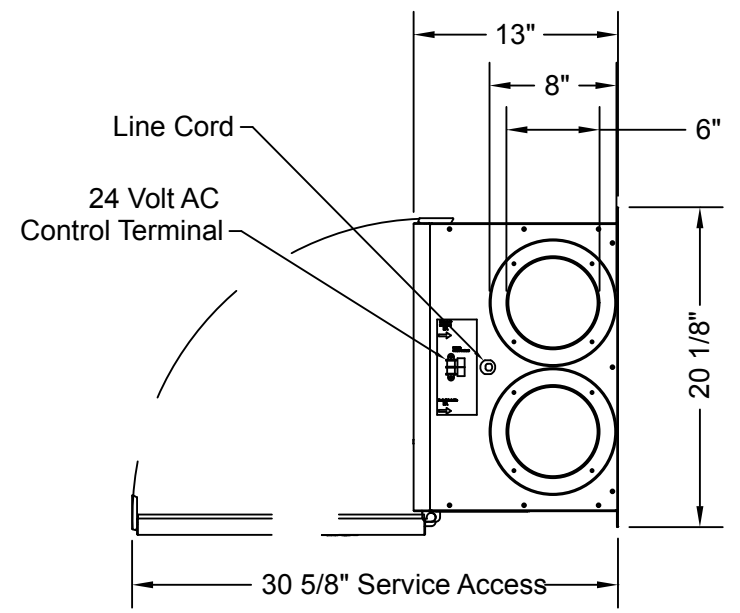


TOP VIEW



FRONT VIEW



RIGHT VIEW

EA: Exhaust Air to outside OA: Outside Air intake RA: Room Air to be exhausted FA: Fresh Air to inside	Customer Approvals	Scale: 1" = 12" Do not scale drawing	EV130 Dimensions
		RenewAire LLC	EV130DIMSMAY10