

# EV450IN



## Indoor Unit



## Specifications

Ventilation Type: Static Plate, Heat and Humidity Transfer					
Typical Airflow Range: 200-540 CFM					
AHRI 1060 Certified Core: One L85					
Airflow Rating Points (for AHRI): 450 CFM and 338 CFM					
Motors: One, 0.6 hp (Single Phase) One, 0.5hp (Three Phase)					
V	HZ	Phase	FLA	Min. Cir. Amps	Max. Overcurrent Protection Device
115	60	Single	7.2	9.0	15
208-230	60	Single	3.9-3.6	4.9	15
208-230	60	Three	1.7-1.5	2.1	15
460	60	Three	0.8	1.0	15
Standard Features: Non-fused Disconnect 24 VAC Transformer/Relay Package					
Filters: Two total, MERV 8, 2" pleated, 14" x 20" nominal size					
Weight: 141 lbs (unit), 160 lbs (in carton) 200 lbs (on pallet), up to 3 units on 40 lb pallet					
Shipping Dimensions: 48" L x 41" W x 18" H (in carton) 55" L x 42" W x 22" H (on pallet)					
Options: ECM Motor – One, 115V or 208-230V 0.75 hp (Single Phase) Fused Disconnect Double Wall Construction					
Accessories: 45EVHB – Hanging Bracket, Foot Kit 45EVDF – Rectangular 12" x 8" Flange Kit (2 in kit) 45EVT10 – 10" Round Transition Kit (2 in kit) Wall Caps Back Draft Dampers					

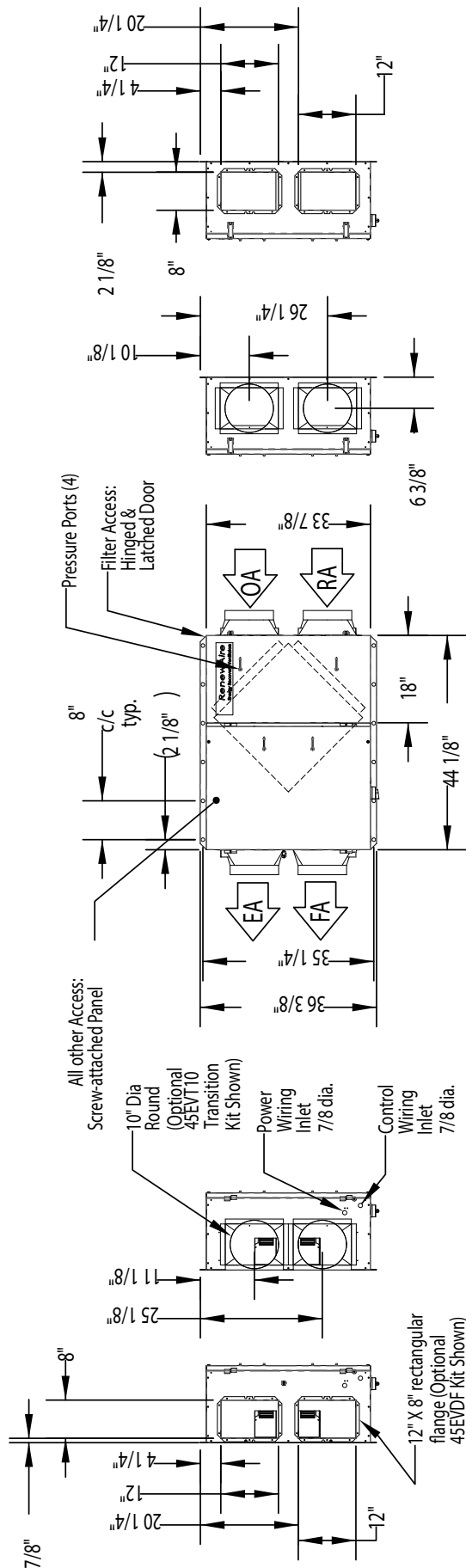
## G5 Performance

Airflow CFM	ESP in H <sub>2</sub> O	Watts		Temp EFF%	Total EFF% Winter/Summer*
		1P	3P		
225	1.25	335	181	81	76/66
338	1.00	420	278	77	71/61
380	0.90	470	340	75	69/59
450	0.65	550	430	73	66/56
540	0.25	640	540	70	62/52
575	0.00	690	610	69	61/51
600	-0.25	735	664	68	60/50

\*At AHRI 1060 standard conditions  
(See certified data on page 73 for core components.)  
**Note:** Watts is for the entire unit.

# EV450IN Unit Dimensions

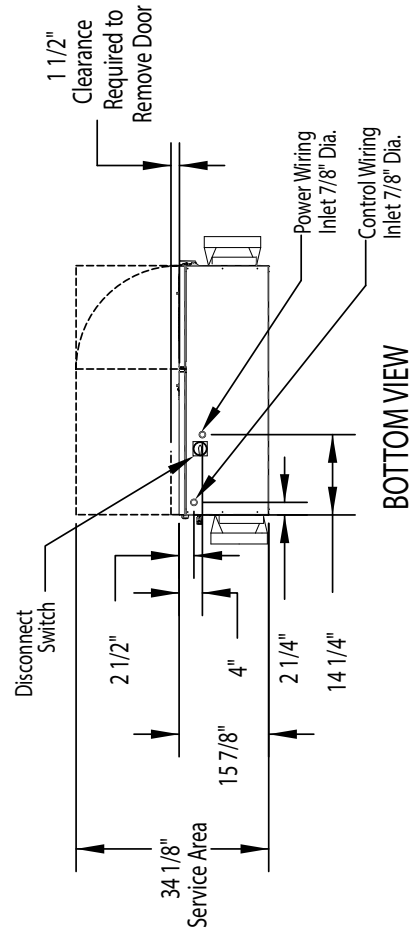
EA: Exhaust Air to outdoors  
 OA: Outdoor Air intake  
 RA: Room Air to be exhausted  
 FA: Fresh Air to inside



LEFT VIEWS

FRONT VIEW

RIGHT VIEWS



BOTTOM VIEW