



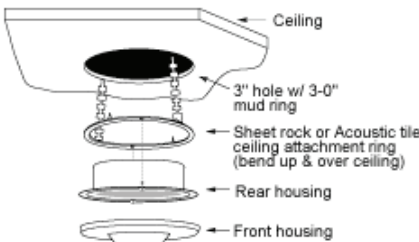
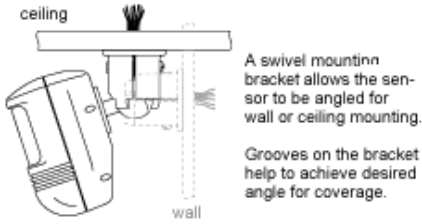
Occupancy Sensor Instructions

Ceiling Mount (MC-C)	Wall Mount (MC-W)
	
3.3" diameter x 2.2" deep Extends about 5/8" from ceiling	3.3" x 3.3" x 2.1" deep Mounting bracket adds additional depth (see below)

Operation

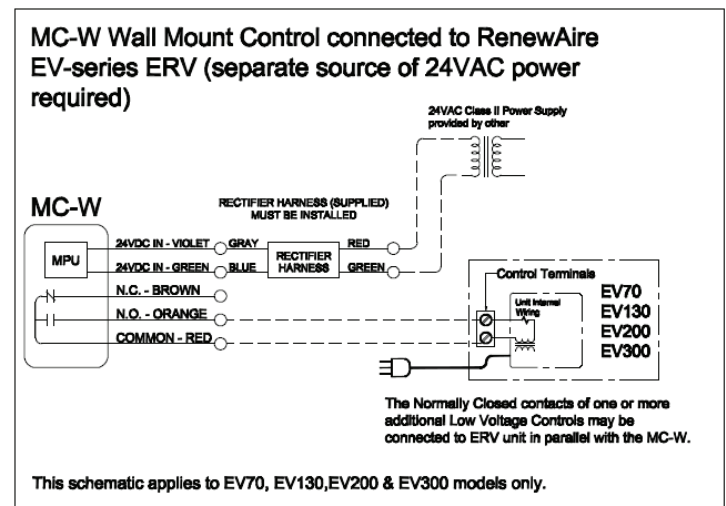
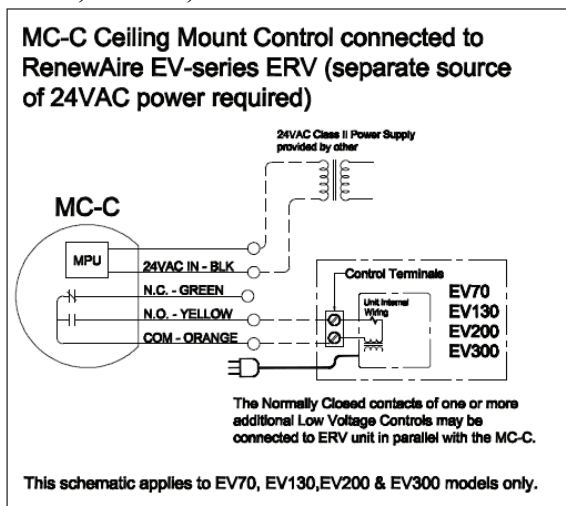
These 24V occupancy sensors automatically turn on your Energy Recovery Ventilator (ERV) when they detect the difference between infrared energy from a human body in motion and the background space. After the area is vacated and the (adjustable) time delay elapses, the ERV automatically turns off.

Installation

Ceiling Mount	Wall Mount
	

CONNECTION DIAGRAMS:

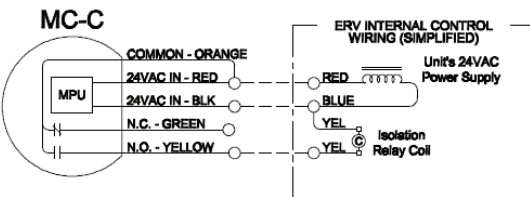
EV70, EV130, EV200 and EV300 models



CONNECTION DIAGRAMS:

All EV450 models and HE1XIN starting January 2011

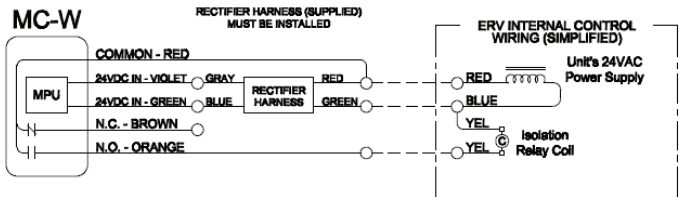
MC-C Ceiling Mount Control connected to RenewAire HE-series commercial ERV with on-board 24VAC power (Pigtail connections).



The Normally Closed contacts of one or more additional Low Voltage Controls may be connected to ERV unit in parallel with the MC-C.

This schematic applies to all EV450 models, and to HE1XIN models.

MC-W Wall Mount Control connected to RenewAire HE-series commercial ERV with on-board 24VAC power (Pigtail connections).



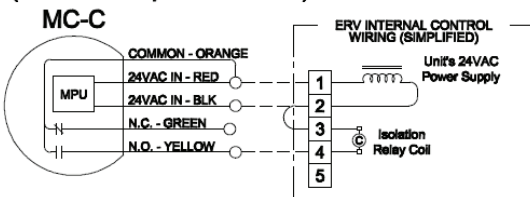
The Normally Closed contacts of one or more additional Low Voltage Controls may be connected to ERV unit in parallel with the MC-W.

This schematic applies to all EV450 models, and to HE1XIN models.

CONNECTION DIAGRAMS:

HE1XRT models, and all HE2X through HE8X models starting January 2011

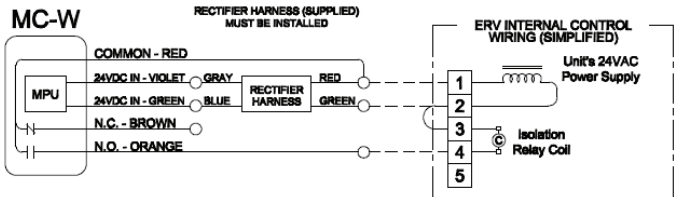
MC-C Ceiling Mount Control connected to RenewAire HE-series commercial ERV with on-board 24VAC power (Terminal strip connections).



The Normally Closed contacts of one or more additional Low Voltage Controls may be connected to ERV unit's Terminals 1 & 4. Do not apply power to these terminals.

This schematic applies to HE1XRT models, and to all HE2X through HE8X models.

MC-W Wall Mount Control connected to RenewAire HE-series commercial ERV with on-board 24VAC power (Terminal strip connections).



The Normally Closed contacts of one or more additional Low Voltage Controls may be connected to ERV unit's Terminals 1 & 4. Do not apply power to these terminals.

This schematic applies to HE1XRT models, and to all HE2X through HE8X models.

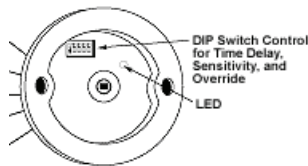
Sensor Adjustment (Time Delays/ Sensitivity/ Override)

Ceiling Mount MC-C

All sensor adjustments are set with DIP Switches #1 thru #4.

DIP Switch #	1	2	3	4
Time Delays				
30 seconds	●	●		
10 minutes	●	—		
20 minutes	—	●		
30 minutes	—	—	●	
Sensitivity				
Minimum				—
Maximum				●
Override				
Normal				—
Override				●

● = ON — = OFF
◀ = factory presets



Wall Mount MC-W

The Time delay is set with DIP Switches #1 thru #4.

Start with Sensitivity dial set to maximum, fully clockwise.

Time Delays	1	2	3	4	5
15 seconds	●	●	●	●	—
2 minutes	—	●	●	●	—
4 minutes	●	—	●	●	—
6 minutes	—	●	●	●	—
8 minutes	●	—	●	●	—
10 minutes	—	●	●	●	—
12 minutes	●	—	●	●	—
14 minutes	—	●	●	●	—
16 minutes	●	—	●	●	—
18 minutes	—	●	●	●	—
20 minutes	●	—	●	●	—
22 minutes	—	●	●	●	—
24 minutes	●	—	●	●	—
26 minutes	—	●	●	●	—
28 minutes	●	—	●	●	—
30 minutes	—	●	●	●	—
Override	—	—	—	—	●

● = on — = off ◀ = factory preset

