

EV 450IN

Energy Recovery Ventilator EC Motor Option



INDOOR UNIT



Download specification at:
renewaire.com/specifications

SPECIFICATIONS

Ventilation Type:

Static plate, heat and humidity transfer

Typical Airflow Range: 200-530 CFM

AHRI 1060 Certified Core: One L85-G5

Standard Features:

Non-fused disconnect
24 VAC transformer/relay package

Filters:

Total qty. 2, MERV 8: 14" x 20" x 2"

Unit Dimensions & Weight:

54 1/2" L x 16 3/8" W x 36 3/4" H
140-202 lbs., varies by option(s)

Max. Shipping Dimensions & Weight (on pallet):

62" L x 42" W x 22" H
250 lbs.

Motor(s):

Qty. 1, 0.5 HP, Direct drive EC blower/
motor package

Options:

Integrated programmable controls
Fused disconnect
Qty. 2, Factory mounted filter alarms
Double wall construction
Exterior paint - white, custom colors

Accessories:

Filters - MERV 13, 2" (shipped loose)
Backdraft damper 10"
Wall cap 10" - galvanized, paintable galvalneal
Vibration isolation kit
Hanging bracket kit
Transition kit - 10" round, qty. 2
Flange kit - rectangular 12" x 8", 2 flanges
Potentiometer speed control - remote installed
Digital time clock - wall mount (TC7D-W),
in exterior enclosure (TC7D-E)
Motion occupancy control - ceiling mount (MC-C),
wall mount (MC-W)
Carbon dioxide control - wall mount (CO2-W),
duct mount (CO2-D)
Electric duct heater - EK series (1-60 kW)

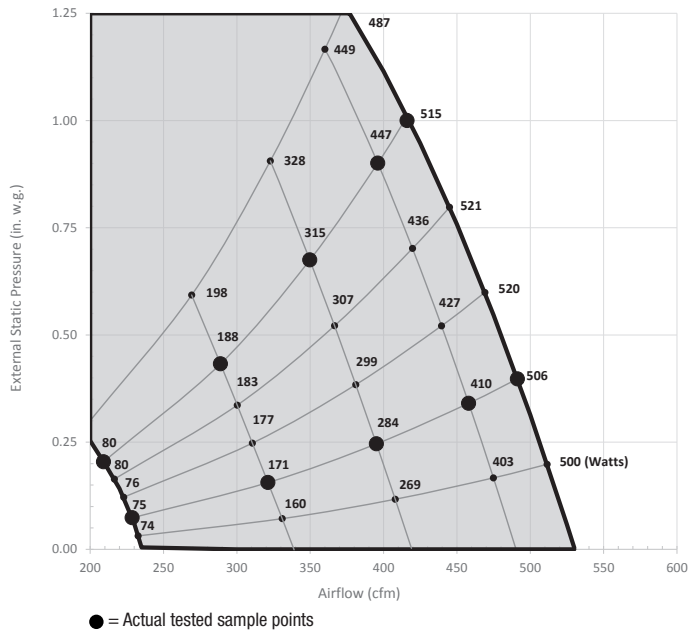
Note: Indirect Gas-Fired Duct Furnace is not available on the EV450IN.

EC MOTOR OPTION OPERATING RANGE

EV450IN EC MOTOR		
Sample Points Depicted in Larger Dots		
Airflow (CFM)	External Static Pressure (Inches Water Column)	Unit Power Consumption (Watts)
229	0.07	75
321	0.16	171
395	0.25	284
458	0.34	410
491	0.40	506
209	0.20	80
289	0.43	188
350	0.67	315
396	0.90	447
416	1.00	515

Note: Watts is for the entire unit.

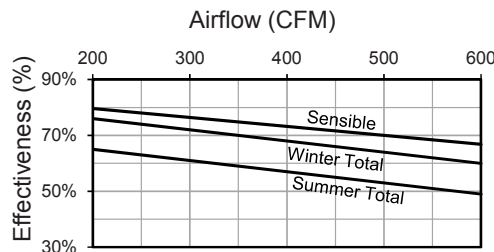
Note: Airflow performance includes effect of clean, standard filter supplied with unit.



ELECTRICAL DATA

HP	Volts	HZ	Phase	FLA	Min. Cir. Amps	Max. Overcurrent Protection Device
0.5	120	60	Single	8.1	10.1	15
0.5	208-230	60	Single	4.8	6.0	15

CORE PERFORMANCE



At AHRI 1060 standard conditions. See all AHRI certified ratings at www.ahrinet.org.

EV450IN Energy Recovery Ventilator Standard or EC Motor Option

ABBREVIATIONS

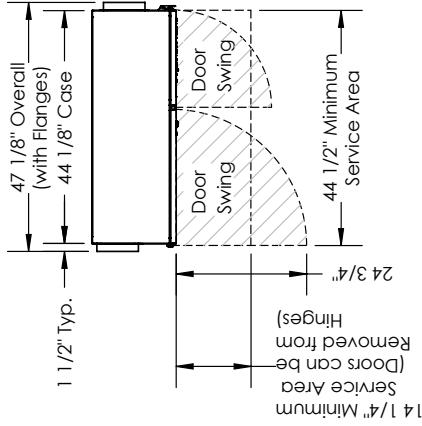
- EA: Exhaust Air to outside
- OA: Outside Air intake
- RA: Room Air to be exhausted
- FA: Fresh Air to inside

INSTALLATION ORIENTATION

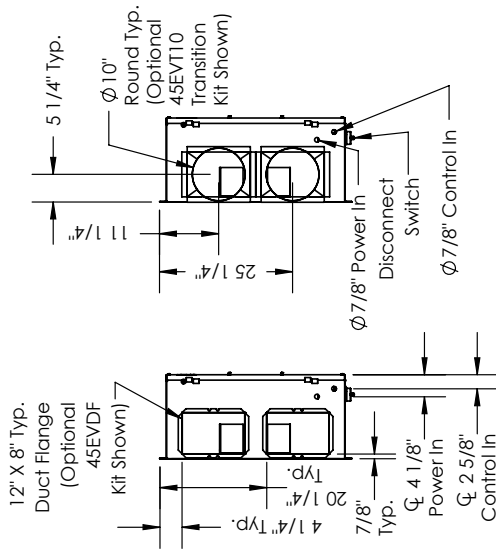
Unit may be installed in any orientation.

NOTE

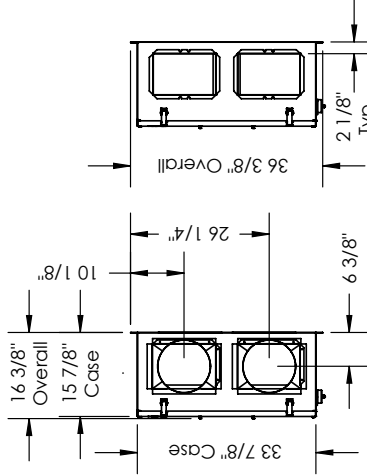
1. UNLESS OTHERWISE SPECIFIED, DIMENSIONS ARE ROUNDED TO THE NEAREST EIGHTH OF AN INCH.
2. SPECIFICATIONS MAY BE SUBJECT TO CHANGE WITHOUT NOTICE.



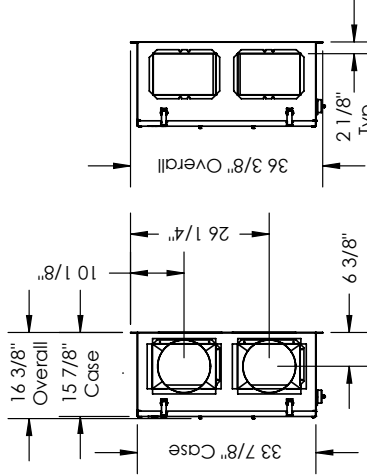
TOP VIEW



LEFT VIEW



FRONT VIEW



RIGHT VIEW

AIRFLOW CONFIGURATION
Available as shown in dimension drawing.

UNIT MOUNTING & APPLICATION
Can be mounted in any orientation. RA/EA airstream can be switched with OA/FA airstream.