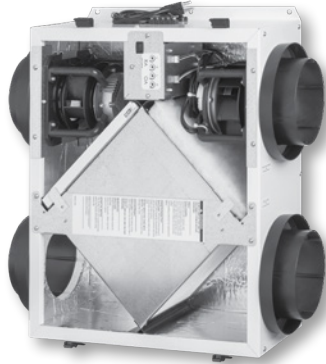


EV PREMIUM S

INDOOR UNIT NEW

Energy Recovery Ventilator EC Motor



SPECIFICATIONS

Ventilation Type:
Static plate, heat and humidity transfer

Typical Airflow Range: 30–130 CFM

Unit is HVI Tested/Certified per CSA C439 Protocol: Using one L-30-G5 Core

Standard Features:
White painted cabinet
Line-cord power supply
Low-voltage circuit for controls
Unit may be mounted in any orientation
Cross-core differential pressure ports
Dial-A-Flow: balance and airflow adjustment
Variable speed
Boost-mode

Controls:
Onboard digital controller with independent variable speeds

Filters:
Total qty. 2, MERV 8, spun-polyester media:
7 1/2" x 10 1/2" x 1"

Unit Weight: 32 lbs.

Max. Shipping Dimensions & Weight (in carton):
30" L x 22" W x 15" H
38 lbs.

Motor(s):
Qty. 2, 110V EC motorized impellers

Accessories:
Backdraft damper: 6", 8"
Automatic balancing damper: 4", 5", 6"
Louvered wall vent 6": white, brown
Louvered wall vent 8": taupe vinyl, galvanized, paintable galvalume
Louvered wall vent with 8" round duct connection: 12" W x 8" H
Hooded wall vent 8": galvanized, paintable galvalume
Digital time clock: wall mount (TC7D-W), in exterior enclosure (TC7D-E)
Carbon dioxide sensor/control: wall mount (CO2-W), duct mount (CO2-D)
IAQ sensor: wall mount (IAQ-W), duct mount (IAQ-D)
Motion occupancy sensor/control: ceiling mount (MC-C), wall mount (MC-W)
Push-button boost timer (PBT)
Percentage timer control (PTL)
Percentage timer control with furnace interlock (FM)
Push-button point-of-use controls (PBL), PTL req'd.
MERV 13 filter: OA airstream (shipped loose)
Electric duct heater: RH series (1–6 kW); designed for indoor ductwork installation only

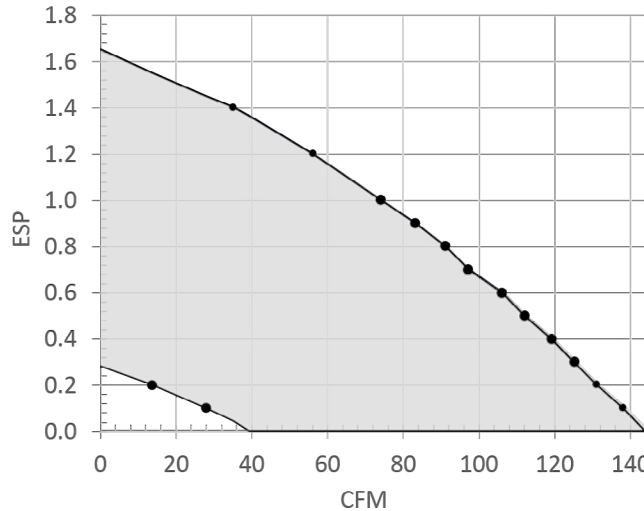
EC MOTOR OPERATING RANGE

Sample Points Depicted in Larger Dots		
Airflow (CFM)	External Static Pressure (Inches Water Column)	Unit Power Consumption (Watts)
Max. Speed		
138	0.1	137
131	0.2	136
125	0.3	134
119	0.4	133
112	0.5	133
106	0.6	130
97	0.7	128
91	0.8	124
83	0.9	121
74	1.0	116
56	1.2	98
35	1.4	85
Min. Speed		
28	0.1	13
13	0.2	12

Note: Watts is for the entire unit.

Note: Airflow performance includes effect of clean, standard filter supplied with unit.

Note: Refer to CORES for specific operating point electrical data.



CORE PERFORMANCE

Airflow (CFM)	Sensible EFF%	Total EFF% Winter/Summer*
Max. Speed		
138	62	58/36
131	64	59/38
125	65	61/40
119	66	62/41
112	67	63/43
106	68	65/45
97	70	67/48
91	71	68/49
83	73	70/51
74	75	71/54
56	78	75/59
35	82	80/65
Min. Speed		
28	83	81/67
13	86	85/71

Note: These are core-only ratings and are not HVI certified.

HVI ratings apply to complete units only.

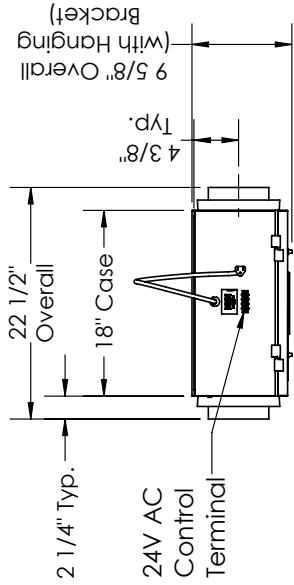
See HVI certification ratings on pg. 32 of Single/Multi-Family Catalog.

ELECTRICAL DATA

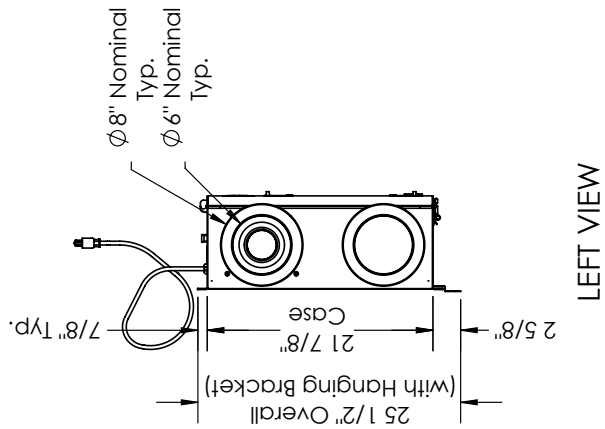
Watts	Volts	Hz	Phase	FLA per motor	Min. Cir. Amps	Max. Overcurrent Protection Device
53	120	60	1	0.85	10	10



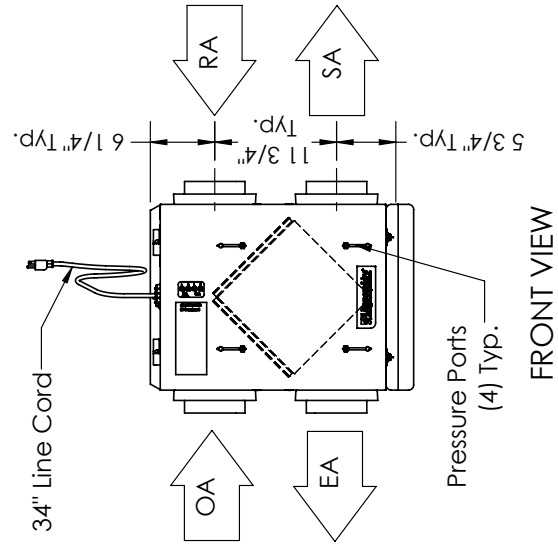
EV Premium S Energy Recovery Ventilator EC Motor



TOP VIEW



LEFT VIEW



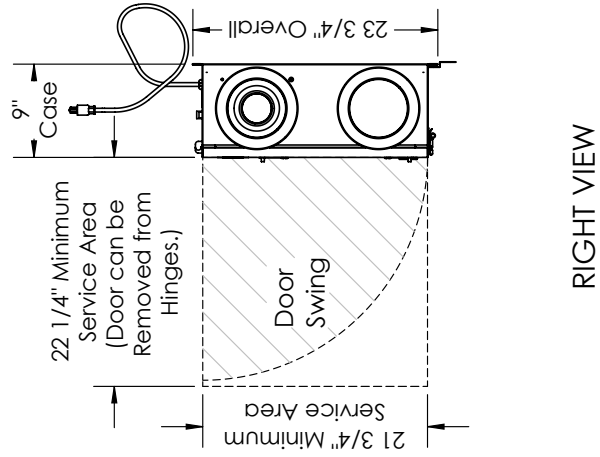
FRONT VIEW

ABBREVIATIONS
 EA: Exhaust Air to outside
 OA: Outside Air Intake
 RA: Room Air to be exhausted
 SA: Supply Air to inside

INSTALLATION ORIENTATION
 Unit may be installed in any orientation.

NOTE
 1. UNLESS OTHERWISE SPECIFIED, DIMENSIONS ARE ROUNDED TO THE NEAREST EIGHTH OF AN INCH.

2. SPECIFICATIONS MAY BE SUBJECT TO CHANGE WITHOUT NOTICE.



RIGHT VIEW

AIRFLOW ORIENTATION
 Available as shown in dimension drawing.

UNIT MOUNTING & APPLICATION
 Can be mounted in any orientation. RA/EA airstream can be switched with OA/FA airstream.