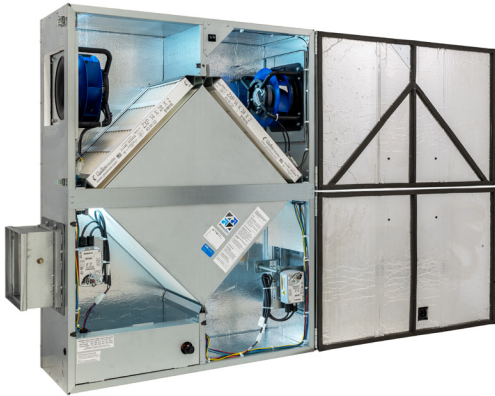


HE 07IN

NEW! INDOOR UNIT

ENERGY RECOVERY VENTILATOR EC MOTOR



Energy recovery core is AHRI Certified®



SPECIFICATIONS

Ventilation Type:
Static plate, heat and humidity transfer

Airflow Range: 166–694 CFM

AHRI 1060 Certified Core:
One L85-G5

Standard Features:
Non-fused disconnect
24VAC transformer/relay package
Cross-core differential pressure ports
Independent blower control

Filters:
Total Qty. 2, MERV 8: 14" x 20" x 2"

Unit Weight:
148-278 lbs., varies by option(s)

Max. Shipping Dimensions & Weight (on pallet):
60" L x 30" W x 55 1/4" H
310 lbs.

Motor(s):
Qty. 2, 170W ea., Direct drive EC motorized impeller packages (208–230V/1Ph/60Hz)

Options:
Qty. 2, Direct drive EC motorized impeller packages:
357W 208–230V/1Ph/60Hz (Intermediate),
330W 208–230V/1Ph/60Hz (Advanced),
357W 120V/1Ph/60Hz (Advanced)

Fused disconnect

Integrated programmable controls: enhanced, premium

Bypass economizer damper (see DIM drawing):
dry-bulb temperature controls (standard),
enthalpy controls (option)

Class 1 low leakage motorized isolation dampers:
FA, EA or both airstreams

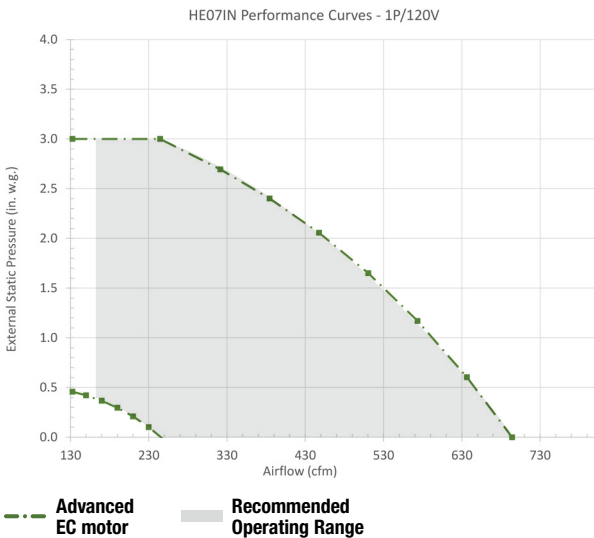
Factory mounted filter alarms: both airstreams

Double wall construction

Exterior paint: white, custom colors

Accessories:
Filters: MERV 13, 2" (shipped loose)
Backdraft damper: 10", 12"
Automatic balancing damper: 4", 5", 6"
Hooded wall vent 10", 12": galvanized, paintable galvalneal
Louver with 10" round duct connection: 12" x 12"
Potentiometer speed control: remote installed
Digital time clock: wall mount (TC7D-W), in exterior enclosure (TC7D-E)
Carbon dioxide sensor/control: wall mount (CO2-W), duct mount (CO2-D)
IAQ sensor: wall mount (IAQ-W), duct mount (IAQ-D)
Motion occupancy sensor/control: ceiling mount (MC-C), wall mount (MC-W)
Smoke detector: duct mount (SD-D)
BACnet fan control: wall mount (BACNETFC-W)
Indoor electric duct heater: RH series (1–11.5 kW), EK series (1–175 kW);
Indirect gas-fired duct furnace: GH series (50–400 MBH); Installed downstream of any fans
Hanging bracket kit
Hanging spring vibration isolation kit
Duct flange kit: square 12" x 12", 2 flanges

EC MOTOR OPERATING RANGE AND FAN PERFORMANCE



HE07IN MOTOR 1P/120V Options		
Airflow (CFM)	Advanced EC	
	External Static Pressure (Inches Water Column)	Unit Power Consumption (Watts)
133	3.00	458
245	3.00	631
322	2.69	706
385	2.40	760
448	2.06	804
511	1.65	833
573	1.17	847
636	0.60	840
694	0.00	815

Note: Airflow performance includes effect of clean, standard filter supplied with unit.



AUGMENTED REALITY (AR)

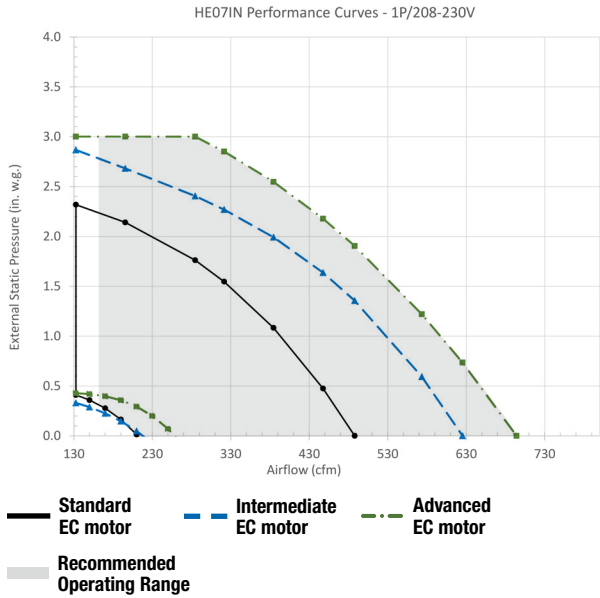
Scan QR code to see life size version of HE07IN, or view here: <https://AR.Marketscale.com/Renewaire/HE07>



ENERGY RECOVERY VENTILATOR
EC MOTOR



EC MOTOR OPERATING RANGE AND FAN PERFORMANCE



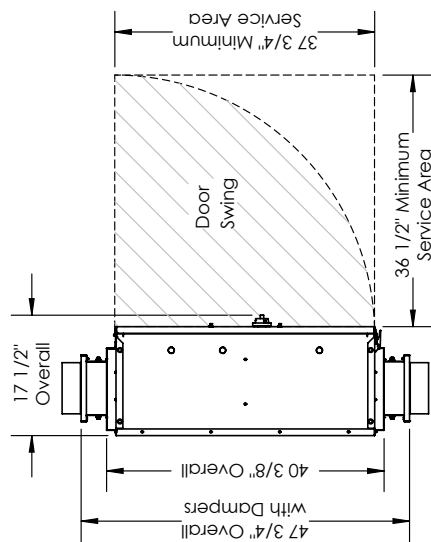
HE07IN MOTOR 1P/208-230V Options						
Airflow (CFM)	Standard EC		Intermediate EC		Advanced EC	
	External Static Pressure (Inches Water Column)	Unit Power Consumption (Watts)	External Static Pressure (Inches Water Column)	Unit Power Consumption (Watts)	External Static Pressure (Inches Water Column)	Unit Power Consumption (Watts)
133	2.32	278	2.87	439	3.00	406
196	2.14	323	2.68	499	3.00	462
285	1.76	383	2.40	580	3.00	493
322	1.55	402	2.27	610	2.85	631
385	1.08	418	1.99	656	2.55	663
448	0.48	408	1.64	690	2.18	711
488	0.00	384	1.36	706	1.90	748
573			0.59	716	1.22	766
625			0.00	705	0.74	790
694					0.00	795

Note: Airflow performance includes effect of clean, standard filter supplied with unit.

ELECTRICAL DATA

Option	Watts	Volts	Hz	Phase	FLA per motor	Min. Cir. Amps	Max. Overcurrent Protection Device
[EE] Standard	170	208-230	60	Single	1.16	2.6	15
[BB] Intermediate	357	208-230	60	Single	2.76	6.2	15
[AA] Advanced	330	208-230	60	Single	1.55	3.5	15
	357	120	60	Single	5.4	12.2	15

HE07INV ENERGY RECOVERY VENTILATOR EC MOTOR



ABBREVIATIONS

- EA: Exhaust Air to Outside
- OA: Outside Air Intake
- RA: Room Air to be Exhausted
- SA: Supply Air to Inside

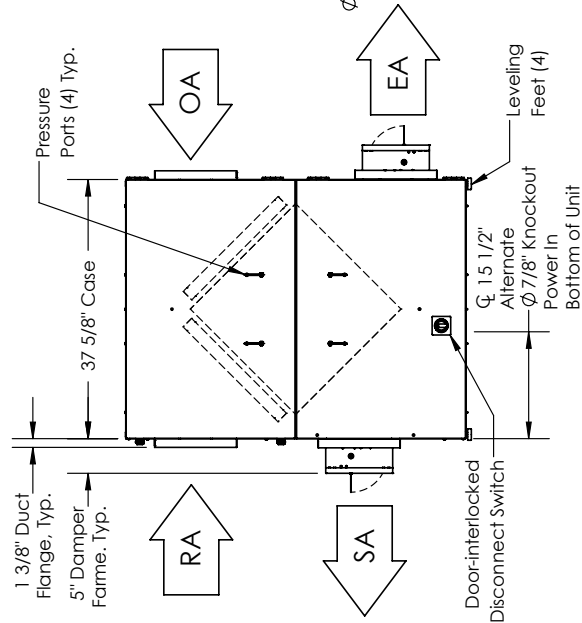
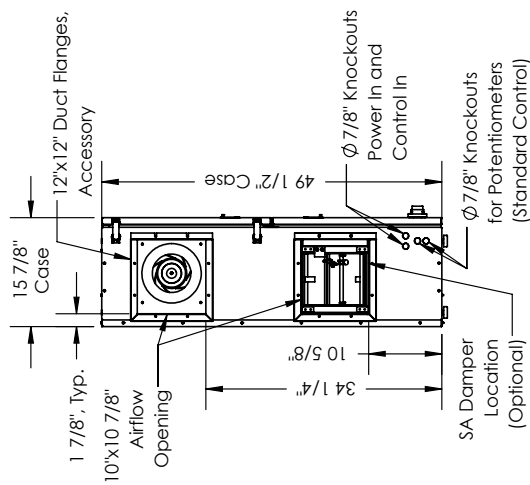
INSTALLATION ORIENTATION

Unit may be installed in any orientation.

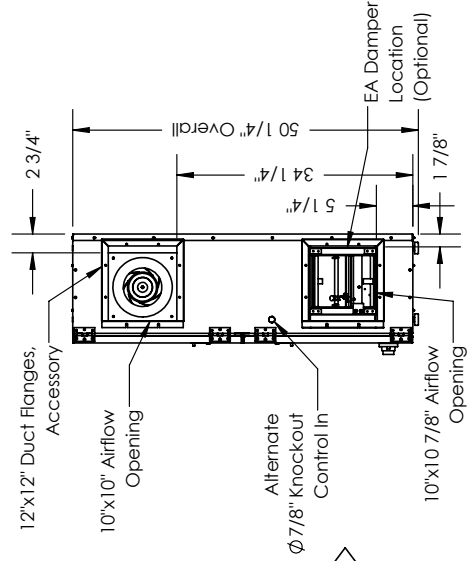
NOTE

1. UNLESS OTHERWISE SPECIFIED, DIMENSIONS ARE ROUNDED TO THE NEAREST EIGHTH OF AN INCH.
2. SPECIFICATIONS MAY BE SUBJECT TO CHANGE WITHOUT NOTICE.

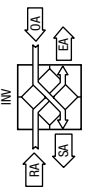
TOP VIEW



LEFT VIEW



RIGHT VIEW



AIRFLOW ORIENTATION

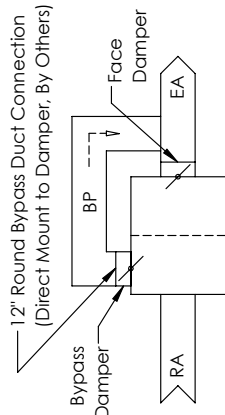
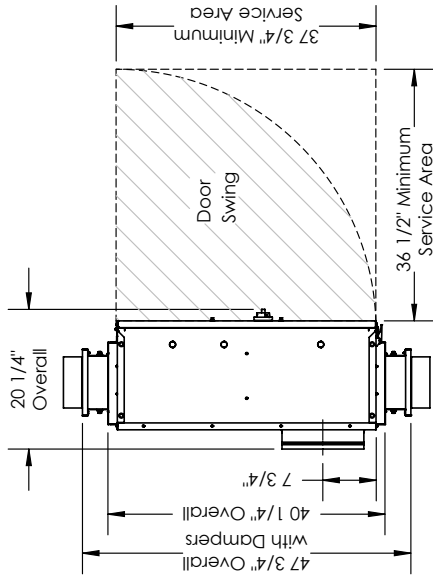
Available as shown:



UNIT MOUNTING & APPLICATION

Can be mounted in any orientation. RA/EA airstream can be switched with OAS/A airstream unless certain options are selected.

HE07INV ENERGY RECOVERY VENTILATOR EC MOTOR WITH BYPASS ECONOMIZER



**BYPASS AIRFLOW SCHEMATIC
TOP VIEW**
(OA/SA Airstream Not Shown)

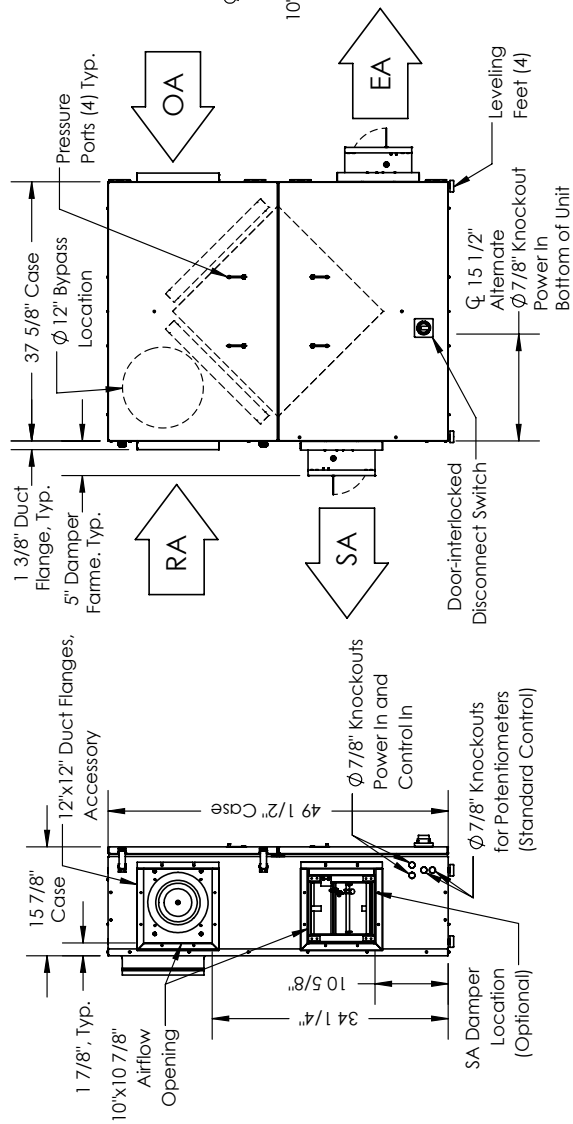
ABBREVIATIONS

- EA: Exhaust Air to Outside
- OA: Outside Air Intake
- RA: Room Air to be Exhausted
- SA: Supply Air to Inside
- BP: Bypass Air Outlet

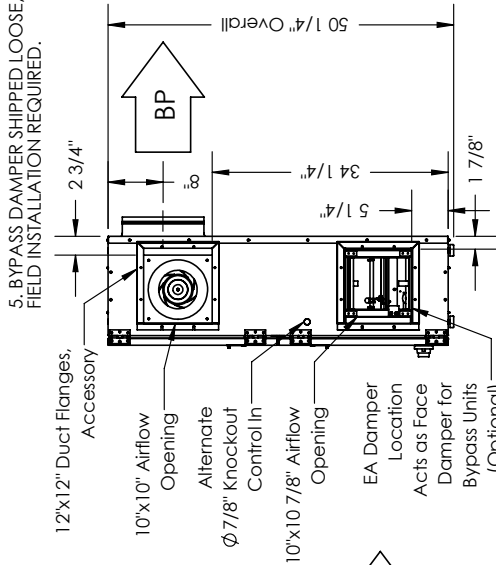
INSTALLATION ORIENTATION
Unit may be installed in any orientation.

- NOTE**
1. UNLESS OTHERWISE SPECIFIED, DIMENSIONS ARE ROUNDED TO THE NEAREST EIGHTH OF AN INCH.
 2. SPECIFICATIONS MAY BE SUBJECT TO CHANGE WITHOUT NOTICE.
 3. UNITS WITH BYPASS WILL REQUIRE ADDITIONAL SPACE FOR THE CONNECTION OF THE BYPASS DUCT (BY OTHERS).
 4. FOR INSTALLATION DETAILS, REFER TO I&O MANUAL SUPPLEMENT FOR BYPASS.
 5. BYPASS DAMPER SHIPPED LOOSE, FIELD INSTALLATION REQUIRED.

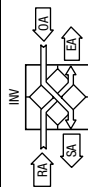
TOP VIEW



LEFT VIEW



RIGHT VIEW



AIRFLOW ORIENTATION
Available as shown:



UNIT MOUNTING & APPLICATION

Can be mounted in any orientation. Airstreams cannot be switched.

