

### MOTORIZED DAMPERS



### SPECIFICATIONS

<b>Damper Type:</b> Round Motorized Damper	<b>Standard Features:</b>
<b>Diameters:</b> 6", 8"	Corrosion-resistant galvanized steel
<b>Operating Mode:</b> Normally closed, spring return	Foam blade seal
<b>Voltage:</b> 24VAC, 0.36A	FM interlock (MD6-FM only)
	Plug-in transformer (MD6-PT only)

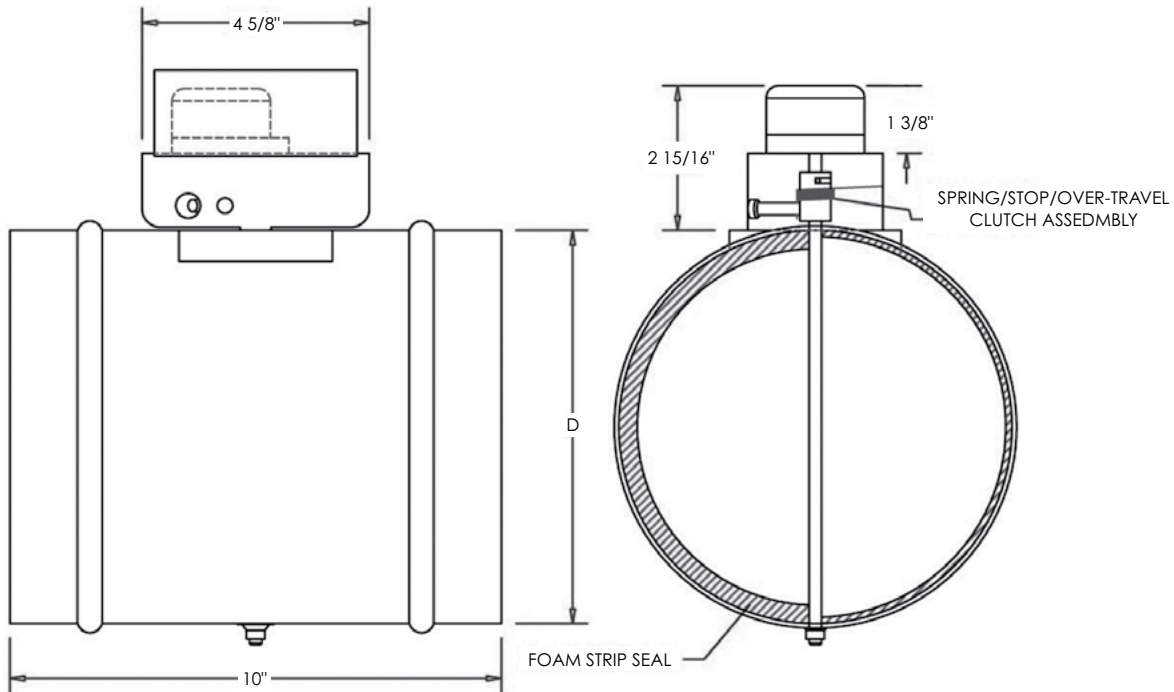
**Note:** Motorized damper designed for indoor ductwork installation only.

### APPLICATIONS

Prevent unwanted airflow through the energy recovery ventilator (ERV) when adverse outdoor air conditions, such as wildfire smoke are present or to meet local codes. The ENERGY STAR Single Family New Homes and ENERGY STAR Multifamily New Construction programs require a motorized damper on the ERV supply airstream if connected to a ducted return of the HVAC system to restrict airflow during ventilation off-cycle and occupant override. The MD Series dampers installed per recommend methods (see MD Series manual) on the SA duct collar will meet this requirement.

### KEY BENEFITS

- Quick to install as damper fits directly onto ERV round duct collars
- Floating motor mount assures proper alignment of motor, shaft and damper to prevent binding
- Clutch/coupler reduces the number of moving parts for greater service life
- Flow control adjustment so that the damper blade can be blocked from opening or closing 100%, if applicable



### SELECTION GUIDE

Damper Kit	MD6-FM	MD6-PT	MD6	MD8
Diameter	6"			8"
ERV has a "DAMP" terminal*	No		Yes	
Furnace interlock required	Yes	No**		

\* ERVs with "DAMP" terminal can power one MD damper.

\*\* Furnace interlock may still be used, but must be purchased separately.